



(12) APPLICATION

(11) 20161910

(13) A1

NORWAY

(19) NO

(51) Int Cl.

E21B 47/06 (2012.01)

E21B 49/10 (2006.01)

E21B 47/047 (2012.01)

E21B 7/06 (2006.01)

Norwegian Industrial Property Office

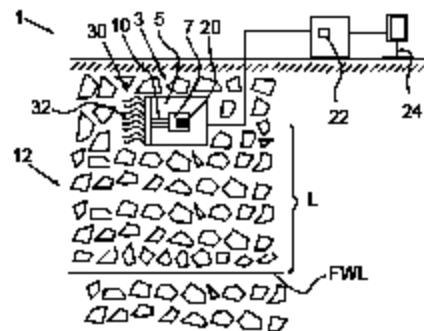
---

(21)	Application nr	20161910	(86)	Int. application day and application nr
(22)	Application day	2016.11.30	(85)	Entry into national phase
(24)	Date from which the industrial right has effect	2016.11.30	(30)	Priority
(41)	Available to the public	2018.05.31		
(71)	Applicant	HYDROPHILIC AS, Esterbakken 2, 4056 TANANGER, Norge		
(72)	Inventor	Trond Arne Rolfsvåg, Esterbakken 2, 4056 TANANGER, Norge		
(74)	Agent or Attorney	HÅMSØ PATENTBYRÅ AS, Postboks 171, 4301 SANDNES, Norge		

---

(54) Title **A probe for pressure measurement of a water phase inside a hydrocarbon reservoir**  
(57) Abstract

A probe (3) and a probe arrangement (1) for a pressure measurement of a water phase inside a hydrocarbon reservoir (12). The probe (3) comprises a body (5) comprising a pressure measuring chamber (7) and at least one opening (10) to the pressure measuring chamber (7), and a surface of the body (5) is arranged with a hydrophilic characteristic. The probe arrangement comprises a displacement mechanism (46) adapted to displace the probe from a first position, where the opening of the probe is located outside the reservoir, to a second position, where the opening of the probe is located at a position inside the reservoir in which surface active components have a concentration less than 0.1 millimole.



## A PROBE ARRANGEMENT FOR PRESSURE MEASUREMENT OF A WATER PHASE INSIDE A HYDROCARBON RESERVOIR

### Introduction

5 The present invention relates to a probe arrangement comprising a probe for a selective pressure measurement of a water phase inside a hydrocarbon reservoir. The probe comprises a body comprising a pressure measuring chamber and at least one opening to the pressure measuring chamber for introduction of water from the water phase to the pressure measuring chamber. The probe is arranged so that at least a portion of a surface of the body at the at least one opening is provided with a hydrophilic characteristic.

10 The probe and the probe arrangement are to be used for such measurements for the purpose of calculation of a free water level between a hydrocarbon phase and the water phase and an estimation of remaining spontaneous imbibition potential. The present invention also relates to a method for positioning a probe within the hydrocarbon reservoir for such measurements.

### Prior art

15 Determination of the free water level between the hydrocarbon phase and the water phase on basis of pressure measurements is known in prior art. A standard – non-selective - probe can be used to capture pressure at several depths in the reservoir, both in the hydrocarbon column and in the water below the hydrocarbon column. The pressure points from the water zone will form a straight line, and the oil, or gas, column above will form another straight line. The free water level is the  
20 depth at which the two lines cross.

A problem with prior art pressure measurements to define the free water level of a reservoir is that a plurality of measurements must be made at different depths in the reservoir. Pressure measurements must be done both inside the hydrocarbon saturated part of the reservoir and in the aquifer below the free water level.

25 If a hydrocarbon zone is thin, the standard method of collecting several pressure points at different depths will not provide an accurate result. If the reservoir is layered, or segmented, it could be uncertain if the pressures measured in the hydrocarbon phase and the water phase belong to the

same reservoir unit.

In-situ pressure measurements that can be used for estimating remaining spontaneous imbibition potential have not been done before. Remaining spontaneous imbibition potential are currently estimated by simulation models and/or based on water saturation measurements. Existing methods  
5 are more uncertain than an estimate based on an in-situ capillary pressure measurement would be.

### Summary of the invention

The invention has for its object to remedy or to reduce at least one of the drawbacks of the prior art, or at least provide a useful alternative to prior art. In particular, an object of the invention is to provide an improved probe, probe arrangement and method for pressure measurement of a water  
10 phase at a hydrocarbon reservoir.

This object is achieved by means of a probe arrangement according to the invention for pressure measurement of a water phase inside a hydrocarbon reservoir. The probe arrangement comprises a probe comprising a body with a pressure measuring chamber and at least one opening to the pressure measuring chamber for introduction of water from the water phase to the pressure meas-  
15 uring chamber, wherein at least a portion of a surface of the body at said at least one opening is arranged with a hydrophilic characteristic.

The probe arrangement is characterized in that it comprises a displacement mechanism adapted to displace the probe from a first position, where said at least one opening of the probe is located outside the reservoir, to a second position, where said at least one opening of the probe is located  
20 at a position inside the reservoir in which surface active components have a concentration less than 0.1 millimole.

The displacement mechanism enables the probe to be displaced from the first position outside the reservoir to the second position inside the reservoir. Furthermore, the displacement mechanism is configured to displace the probe into the reservoir to the second position beyond a contaminated  
25 zone where in which surface active components are in high concentration.

In particular, the first position is a position within a bore hole in the reservoir. The second position is defined as position where surface active components have a concentration less than 0.1 millimole. At the second position, measurement of the water phase is possible without deterioration of the hydrophilic characteristic of the probe. Correspondingly, the contaminated zone is defined as a  
30 zone in which surface active components have a concentration equal or higher than 0.1 millimole.

According to an embodiment of the invention, in the second position, said at least one opening of the probe is located at a position inside the reservoir in which a change from an initial water saturation in the reservoir is less than 1%.

The drilling operation into the reservoir forms a contaminated zone. Furthermore, the water phase was perturbed at the drilling operation of bore hole in the reservoir, thereby forming a disturbed zone. For the purpose of the measurement of the water phase, the probe is displaced to the second position where the change from an initial water saturation in the reservoir is less than 1%.

5 According to an embodiment of the invention, in the second position, said at least one opening of the probe is located at least 10 cm into the reservoir, preferably at least 50 cm into the reservoir.

According to an embodiment of the invention, the probe arrangement comprises a tapered displacement head comprising an inner room adapted to enclosing the probe, a first passage to the inner room and a second passage out of the inner room into the reservoir and a sealing member  
10 for sealing an opening of said second passage, wherein the displacement head is adapted to be forced into the reservoir and thereby forming an opening in the reservoir.

According to an embodiment of the invention, the probe arrangement comprises a drilling mechanism for forming a further opening in the reservoir. The drilling mechanism is adapted to form a bore into the reservoir passing through the contaminated zone into the disturbed zone. The bore  
15 enables the probe to be displaced from the first position to the second position without being contaminated by the surface active components.

According to an embodiment of the invention, the drilling mechanism comprises means for introducing a fluid into the opening and removing the fluid together with residual material from the opening, which fluid is insoluble or essentially insoluble in water. Preferably, the fluid introduced is a  
20 fluid mainly comprising oil. By means of introducing and removing the fluid during drilling the bore, it is assured that the second position of the probe is not contaminated by the surface active components.

According to an embodiment of the invention, said inner room of the displacement head is adapted to enclosing a drilling head of the drilling mechanism.

25 According to an embodiment of the invention, the probe arrangement comprises a casing mechanism adapted to position a casing into said formed opening. By means of arranging casing in the bore formed by the drilling mechanism, it is further assured that the probe can be displaced into the reservoir to the second position without being contaminated by the surface active components when passing through the contaminated zone.

30 According to an embodiment of the invention, the probe arrangement comprises a pressure sensor arranged in the pressure measuring chamber or in connection with the pressure measuring chamber, and a logic unit adapted to receive information from the pressure sensor and determine a pressure of the water phase ( $P_w$ ) in the pressure measuring chamber.

According to an embodiment of the invention, the probe arrangement comprises means for display-

ing the determined pressure of the water in the pressure measuring chamber.

According to an embodiment of the invention, the probe comprises a further sealing member configured to cover said at least one opening from exposure to surface active components at a concentration equal to or higher than 0.1 millimole.

5 The probe comprises a body comprising a pressure measuring chamber and at least one opening to the pressure measuring chamber for introduction of water from the water phase to the pressure measuring chamber, wherein at least a portion of a surface of the body at said at least one opening is arranged with a hydrophilic characteristic. The probe is characterized in that it comprises a sealing member configured to cover said at least one opening from exposure to surface active components at a displacement of the probe into the reservoir passing through a contaminated zone comprising one or more of the surface active components at a concentration equal to or higher than 0.1 millimole.

The probe is adapted to be inserted into the reservoir rock of the water phase at the hydrocarbon reservoir or to be arranged in contact with the water phase in the hydrocarbon reservoir. In order to contact the water phase of the reservoir at a location in which the water phase has not significant been perturbed by a drilling operation, the probe must pass through a contaminated zone comprising surface active components used in the drilling operation. The probe is provided with the sealing member that cover the opening to the probe so that the hydrophilic characteristic is not deteriorated by the surface active components in the contaminated zone. In particular, the sealing member is adapted to protect the opening of the probe from interaction of surface active components at concentration equal to or higher than 0.1 millimole.

Example of surface active components in the contaminated zone is Octadecylamine (15 EO) Quaternary Ammonium Salt (cationic surfactant), Imidazoline (cationic surfactant), Coco Dimethyl Quat (cationic surfactant), Sodium C14–16 Alpha Olephin Sulfonate (anionic surfactant), C10 Alcohol (8 EO) Ethoxylate (non-ionic surfactant), and etcetera.

When the opening of the probe has been arranged at a suitable position within the reservoir, the sealing member is adapted to be removed or penetrated. Thereby, the at least one opening of the probe is brought into contact with the water phase in the reservoir without being influenced by the surface active components in the contaminated zone.

30 By means of the hydrophilic characteristic of the surface or portion of the surface of the body at the opening or openings, the surface is “water-loving” allowing water to be introduced in to the pressure measuring chamber. Thereby allowing the pressure of the water phase to be measured inside a hydrocarbon saturated reservoir. Accordingly, the probe of the invention enables a selective measurement of the water phase in the hydrocarbon reservoir.

35 On basis of the measurement, the free water level between the water phase and the hydrocarbon

phase of the hydrocarbon reservoir can be calculated from one measuring depth only. The remaining spontaneous imbibition potential at the measuring point in the hydrocarbon reservoir can also be estimated from the pressure difference between the water and the hydrocarbon phase at the measuring point.

5 The hydrophilic characteristic versus a hydrophobic characteristic are defined by means of a contact angle between a droplet of water and the surface. The hydrophilic characteristic is defined by a surface providing a contact angle between the surface and a water droplet that is less than 90 degrees. Vice versa, the hydrophobic characteristic is a surface providing a contact angle between the surface and the water droplet that is more than 90 degrees.

10 According to an embodiment of the invention, the further sealing member comprises a casing extending over said at least one opening and mainly comprising a glass material. The glass of the casing provides a sealing that is impermeable to the surface active components in the contaminated zone.

15 According to an embodiment of the invention, the probe comprises a spacing between the further sealing member and the surface of the body of the probe, and wherein the probe further comprises a flowable suspension with hydrophilic properties arranged in said spacing.

By arranging the spacing between the sealing member and the surface of the body at the at least one opening with the flowable suspension, contact with the water phase is facilitated once the probe has been arranged in a suitable position within the reservoir.

20 According to an embodiment of the invention, the flowable suspension mainly comprises a granular combination of kaolinite and water.

25 According to an embodiment of the invention, the at least one opening comprises a diameter or equivalent diameter in the range of 0.01– 0.00001 mm, preferably 0.005 – 0.00001 mm. Small openings are preferable. The reason for the openings to be small is that the non-wetting phase (oil or gas) must curve its interface with the water to be able to flow through the opening. The smaller the opening the higher the pressure differential for the non-wetting phase to flow through the opening will be. The size of the at least one opening refers to the smallest part of the opening to the pressure measuring chamber. The pressure at which the non-wetting phase starts to flow through is often referred to as the threshold pressure.

30 According to an embodiment of the invention, the surface of the body comprises a hydrophilic porous plate mainly comprising aluminium oxide ( $\text{Al}_2\text{O}_3$ ), such as CoorsTek P-1/2. Preferably, the surface of the body comprises hydrophilic porous plate of CoorsTek P-1/2 with openings in the range of 0.01 - 0.001 mm, preferably around 0.003 - 0.007 mm, which provides a threshold pressure of at least 5 bar for air (non-wetting).

According to an embodiment of the invention, the body comprises a plurality of openings to the measuring chamber. Preferably, the openings are leading to the pressure measuring chamber from different directions.

5 According to an embodiment of the invention, the body comprises a permeable material with a plurality of pores, and wherein at least a portion of the pores constitutes said openings to the pressure measuring chamber.

Permeable materials could be made of metals, ceramics, minerals, fused particles, woven fibres or naturally occurring permeable materials like a quartz-based sandstone or a carbonate rock. By means of a plurality of openings to the pressure measuring chamber, it is assured that water is  
10 introduced into the pressure measuring chamber even if some of the openings are blocked, such as by material in the water phase of the hydrocarbon reservoir.

According to an embodiment of the invention, the surface of the body of the probe comprises mainly a material with a hardness equal to or higher than 130 Brinell. By means of arranging the surface of the body with sufficient hardness, the openings are prevented from being deformed when the  
15 probe is introduced in the reservoir.

According to an embodiment of the invention, the surface of the body of the probe mainly comprises one of steel and stainless steel. Steel and stainless steel comprises preferable properties for insertion in the reservoir with maintained function of the probe. Furthermore, the surface of steel and stainless steel may be treated so to provide the hydrophilic characteristic. Treatments that can  
20 make steel, and many other surfaces, hydrophilic are commercially available, e.g.: Aculon. The surface treatment can be introduced as a temporary coating or as a permanent new surface layer. Internal surfaces can also be treated. Alternatively, if a cavity in the wall of a well into the reservoir are made prior to the introduction of the probe, material of lower strength and hardness may be used.

25 According to an embodiment of the invention, the body of the probe is arranged wedge shaped. Alternatively, the probe has the form of a needle or plate dependent on the composition of the reservoir. By means of the wedge shaped body, the insertion of the probe in the reservoir is facilitated.

According to an embodiment of the invention, the probe further comprises a contact arrangement arranged on at least a portion of the surface of the body, which contact arrangement comprises  
30 one or more flexible elongated members extending away from the surface and comprising an envelope surface provided with the hydrophilic characteristic.

The elongated members are bended when the probe is inserted in the rock material of the reservoir so that the elongated members find a contact with the water phase, such as at interface surface between elements in the rock material. Accordingly, by means of the contact arrangement, contact  
35 between the probe and the water phase is facilitated.

According to an embodiment of the invention, the one or more elongated members mainly comprise a fibrous material. The fibrous material could be made of natural polymeric fibres such as silk, synthetic polymeric fibres such as aramid and polyethylene, metallic fibres such as steel and tungsten, and ceramic fibres such as alumina and silicon carbide.

5 The object of the invention is further obtained by means of a method for pressure measurement of a water phase inside a hydrocarbon reservoir according to an embodiment of the invention. The measurement of the method is conducted by means of a probe arrangement according to any of claim 1-11. The method comprises the step of:

- 10 - positioning the said at least one opening of the probe at a first position in vicinity to the reservoir, in which first position said at least one opening is located outside the reservoir,
- displacing the probe from the first position to a second position in which said at least one opening is located inside the reservoir and while maintaining the sealing member over said at least one opening,
- removing or penetrating the sealing member after that the probe has been displaced to the second position with said at least one opening inside the reservoir, and
- 15 - measuring the pressure of the water phase inside a hydrocarbon reservoir.

According to an embodiment of the invention, wherein the method comprises:

- forming a further opening into the reservoir by means of the drilling mechanism, and
- introducing the probe into the further opening and into the reservoir.

20 The object of the invention is further obtained by means of a method for pressure measurement of a water phase inside a hydrocarbon reservoir according to a further embodiment of the invention. The measurement of the method is conducted by means of a probe comprising a body comprising a pressure measuring chamber and at least one opening to the pressure measuring chamber for introduction of water from the water phase to the pressure measuring chamber, wherein at least a portion of a surface of the body at said at least one opening is arranged with a hydrophilic characteristic. The method comprises the step of:

- forming an opening into the reservoir,
- positioning the said at least one opening of the probe at a first position in vicinity to the reservoir, in which first position said at least one opening is located outside the reservoir,
- 30 - displacing the probe from the first position to a second position in which said at least one opening is located inside the reservoir, wherein in the second position said at least one opening of the probe is located at a position inside the reservoir in which surface active components have a concentration less than 0.1 millimole, and
- measuring the pressure of the water phase inside a hydrocarbon reservoir.

35 By means of forming the opening into the reservoir, the exposure of the probe to surface active components when passing the position of the contaminated zone is reduced. Thereby, it is possible to use probe without sealing member covering the openings of the body of the probe, or alterna-



tively use a simple form of sealing member.

According to an embodiment of the invention, wherein, in the second position, said at least one opening of the probe is located at a position inside the reservoir in which a change from an initial water saturation in the reservoir is less than 1%.

5 According to an embodiment of the invention, wherein, in the second position, said at least one opening of the probe is located at least 10 cm into the reservoir, preferably at least 50 cm into the reservoir 12.

By means of probe comprising the sealing member, the at least one opening is protected from exposure to the surface active components when passing the position of the contaminated zone and  
10 instead the sealing member is removed or penetrated once the probe has been arranged in the second position within the reservoir. By means of the sealing member of the probe, the method for pressure measurement of a water phase inside a hydrocarbon reservoir is simplified.

The object of the invention is further obtained by means of use of a probe arrangement and a probe of the probe arrangement according to any of claim 1-12 for a pressure measurement of a  
15 water phase inside a hydrocarbon reservoir.

According to an embodiment of the invention, the pressure measurement of the water phase is used for calculating a free water level between the water phase and a hydrocarbon phase of the hydrocarbon reservoir.

20 According to an embodiment of the invention, the pressure measurement of the water phase is used for calculating a remaining spontaneous imbibition potential of the hydrocarbon reservoir.

#### Brief description of drawings

In the following is described an example of a preferred embodiment illustrated in the accompanying drawings, wherein:

25 Fig. 1a discloses a probe arrangement comprising a probe according to an embodiment of the invention;

Fig. 1b discloses a detail view of an opening to a pressure measuring chamber in the probe in fig. 1a;

30 Fig. 2 discloses a schematic view of a graph for determining a free water level of a hydrocarbon reservoir, which graph was constructed based on a pressure measurement of the probe of the invention;

- Fig. 3 discloses a schematic view of a graph for determining a remaining spontaneous imbibition potential of a hydrocarbon reservoir, which graph was constructed based on a pressure measurement of the probe of the invention.
- Fig. 4a discloses a probe arrangement in further details according to a further embodiment of the invention, wherein the probe is in a first position;
- Fig. 4b discloses a tapered displacement head enclosing the probe to be displaced from the first position to the second position;
- Fig. 4c discloses a probe of the probe arrangement in fig. 4a according to an embodiment of the invention;
- Fig. 5 discloses the probe arrangement in fig. 4a where a tapered displacement head has been forced into the reservoir; and
- Fig. 6 discloses the probe arrangement in fig. 4a where a bore has been formed into the reservoir and the probe has been displaced to the second position.

#### Detailed description

In fig. 1a a probe arrangement 1 according to an embodiment of the invention is disclosed. The probe arrangement 1 comprises a probe 3. The probe 3 comprises a body 5 comprising a pressure measuring chamber 7 and openings 10 to the pressure measuring chamber 7 for introduction of water from the water phase into the pressure measuring chamber 7. Preferably, the probe comprises a plurality of openings 10 leading to the pressure measuring chamber 7 from different directions. However, it shall be understood that a single opening 10 or a plurality of openings 10 may be used. In fig. 1, the probe 3 is arranged in the rock of a hydrocarbon reservoir 12.

The probe arrangement 1 further comprises a pressure sensor 20 and a logic unit 22. The pressure sensor 20 is arranged in the pressure measuring chamber 7 or in connection with the pressure measuring chamber 7. The pressure sensor 20 is preferably a differential pressure sensor adapted to measure a pressure difference. The pressure measurement may be a force collector type sensor or rely on other known pressure sensor arrangements, such as a piezoresistive strain gauge, a capacitive gauge, an electromagnetic gauge, a piezoelectric gauge, an optical gauge, etcetera.

The logic unit 22 is adapted to receive information from the pressure sensor 20 and determine a pressure  $P_w$  of the water in the pressure measuring chamber 7. In the disclosed embodiment, the probe arrangement 1 further comprises means 24 for displaying a determined pressure  $P_w$  of the water in the pressure measuring chamber 7, such as a monitor, a LCD display, etcetera. In the disclosed example, the logic unit 22 and the means 24 for displaying are arranged outside the reservoir 12.

The probe 3 is arranged so that at least a portion of a surface of the body 5 at said at least one opening 10 is arranged with a hydrophilic characteristic. In particular the surface of the one or more openings 10 are arranged with a hydrophilic characteristic. According to an embodiment of the invention, the surface further comprises the properties of being non-wetting to oil in the hydrocarbon reservoir 12.

The hydrophilic characteristic is dependent on the properties of the surface and results in that the water phase can be introduced into the pressure measuring chamber 7 even for small sized openings 10. In particular, the hydrophilic characteristic is defined by a surface providing a contact angle between the surface and a droplet that is less than 90 degrees. Vice versa, a hydrophobic characteristic is a surface providing a contact angle between the surface and the droplet that is more than 90 degrees. Likewise, the non-wetting characteristic to oil of the surface of probe 3 is dependent on the properties of the surface and results in that the hydrocarbon phase is prevented from being introduced into the pressure measuring chamber 7.

The probe 3 is preferably arranged with one or more openings 10 comprising each comprising a diameter or equivalent diameter in the range of 0.01– 0.00001 mm, preferably 0.005 – 0.00001 mm. Preferably, the body 5 of the probe 3 comprises a permeable material with a plurality of pores, and wherein at least a portion of the pores constitutes said openings 10 to the pressure measuring chamber 7.

By means of use of small sized openings 10 in above range, the accuracy of determination of a free water level FWL of the hydrocarbon reservoir 12 or a remaining spontaneous imbibition potential of a hydrocarbon reservoir 12 can be based on measurements at a single level in the hydrocarbon reservoir 12.

Preferably, the surface of the body 5 of the probe 3 comprises mainly a wear resistant material, such as a material with a hardness equal or higher than 130 Brinell. Thereby, deformation of the one or more openings 10 when arranging the probe 3 in the hydrocarbon reservoir 12 is prevented. Preferably, the surface of the body 5 of the probe 3 mainly comprises one of steel and stainless steel or a ceramic material of sufficient hardness.

The probe 3 further comprises a contact arrangement 30 on the surface of the body 5 of the probe 3. The contact arrangement 30 comprises a plurality of flexible elongated members 32 extending away from the surface of the probe 3. The elongated members 32 comprise a fibrous material with an envelope surface provided with the hydrophilic characteristic. The elongated members 32 are adapted to be bent when the probe 3 is inserted in the rock material of the reservoir 12 so that the elongated members 32 find a contact with water phase at an interface surface between rock material in the reservoir. The contact arrangement 30 is accordingly adapted to facilitate the contact of the probe 3 with the water phase of the reservoir 12.

In fig. 1b, an opening 10 of the probe 3 to the pressure measuring chamber 7 is disclosed in further details. When the pressure of the oil phase O is higher than that of the water phase W, oil will try to flow into water filled openings of the porous and permeable probe material. The interface of the oil will curve its interface, but not be able to flow into the opening until the pressure difference is larger than the threshold pressure.

In fig. 2, a schematic view of a graph for determining a free water level (FWL) of a hydrocarbon reservoir 12 is disclosed. The graph was constructed based on a measured pressure  $P_w$  of the water phase by means of the probe 3 of the invention, and a measurement of the pressure of the hydrocarbon phase with a standard probe. Both measurements can be done at the same depth. If the density of the hydrocarbon phase is not known, a fluid sample could be taken in order to measure this. The pressure of the water phase and the hydrocarbon phase increase with depth according to their densities. Water being more dense than the hydrocarbon phase will increase its pressure faster with depth than the hydrocarbon phase. At the free water level (FWL) the pressure of water and the hydrocarbon phase are equal.

In Fig. 3, a schematic view of a graph for determining a remaining spontaneous imbibition potential of a hydrocarbon reservoir 12 is disclosed. The graph was constructed based on a measured pressure  $P_w$  of the water phase by means of the probe 3 of the invention. The capillary pressure is here defined as the pressure difference between the non-wetting hydrocarbon phase, and the water phase. Based on laboratory experiments performed on reservoir material (cores) from the reservoir an estimate of the remaining spontaneous imbibition potential.

In fig. 4a, 5 and 6, the probe arrangement 1 is disclosed in conjunction to a bore hole into the reservoir 12. Fig. 6 also discloses the structure of the reservoir 12 at the bore hole, wherein the formation of the bore hole has created a contaminated zone 80 in which surface active components have a concentration equal to or more than 0.1 millimole. The surface active components in the contaminated zone 80 is for example Octadecylamine (15 EO) Quaternary Ammonium Salt (cationic surfactant), Imidazoline (cationic surfactant), Coco Dimethyl Quat (cationic surfactant), Sodium C14–16 Alpha Olephin Sulfonate (anionic surfactant), C10 Alcohol (8 EO) Ethoxylate (non-ionic surfactant), and etcetera, or a combination thereof.

The formation of the bore hole has furthermore created a disturbed zone 82 in which water saturation in the reservoir 12 has been disturbed equal or more than 1% of the initial water saturation in the reservoir 12.

In fig. 4a a probe arrangement 1 comprising a probe 3 according to a further embodiment of the invention is disclosed. The probe arrangement 1 comprises a support 40 for holding the probe 3 and further components of the probe arrangement 1 as will be explained in the following.

The probe arrangement 1 comprises an attachment mechanism 42 for providing an attachment of

the probe arrangement 1 to the walls 44 of a bore hole into the reservoir 12. In fig. 4a, the probe arrangement 1 has been inserted into the a bore hole so that the support 40 is arranged between the walls 44 of the bore hole and the attachment mechanism 42 has established an attachment to the walls 44 of the bore hole.

5 The probe arrangement 1 further comprises displacement mechanism 46 for displacing the probe 3 from a first position, where said at least one opening 10 of the probe 3 is located outside the reservoir 12, to a second position, where said at least one opening 10 of the probe 3 is located at a position inside the reservoir 12, and in particular to a position in which surface active components have a concentration less than 0.1 millimole. Accordingly, the displacement mechanism 46 is adapted to  
10 displace the probe 3 to a position beyond the contaminated zone 80 in which surface active components are available at a concentration less than would deteriorate the hydrophilic characteristic of the probe 3.

Furthermore, as will be explained in the following, the second position is a position in which the initial water saturation in the reservoir 12 has been changed less than 1%. Accordingly, the displacement mechanism 46 is adapted to displace the probe 3 through the contaminated zone 80  
15 and the disturbed zone 82 of the reservoir 12, see fig. 6.

The probe arrangement 1 further comprises drilling mechanism 50 for forming an opening in the reservoir 12. In the disclosed embodiment the support comprises two guide paths, a first path 52 for a displacing a drilling element of the drilling mechanism 50 and a second path 54 for displacing  
20 the probe 3 from a first position to a second position. The first path 52 and the second path 54 are indicated by dotted lines.

Preferably, the drilling mechanism 50 further comprises a container containing fluid and means for introducing the fluid into the bore formed by the drilling mechanism 50 and removing the fluid together with residual material from the bore. The fluid is insoluble or essentially insoluble in water,  
25 such as oil. The container and the means for introducing the fluid are not disclosed in the figures.

The probe arrangement 1 further comprises a tapered displacement head 60 adapted to be inserted and retracted from the reservoir 12. The displacement head 60 is adapted to be forced into the reservoir so that the displacement head 60 passes through the contaminated zone 80 of the reservoir 12, see fig. 4b.

30 The tapered displacement head 60 comprises an inner room 62 adapted to enclose the probe 3, and a first passage 64 to the inner room 62. The displacement head 60 also comprises a second passage 66 from the inner room 62 to an outside. The displacement head 60 further comprises a sealing member 68 between the inner room 62 and the second passage 66. The sealing member 68 is adapted to prevent surface active components to enter the inner room 62 when the displacement head 60 is forced through the contaminated zone 80 of the reservoir 12. Accordingly, the  
35

probe 3 is protected from contact with the surface active components during such displacement of the displacement head 60.

After that the displacement head 60 has been forced into the reservoir 12 beyond the contaminated zone 80, the sealing member 68 is removed or penetrated to enable contact with the reservoir 12, see fig. 5. Thereafter, the probe 3 can be introduced into the reservoir 12. Alternatively, as shown in the embodiment in fig. 6, the drilling mechanism 50 forms a bore 70 into the reservoir 12 in order to pass through a disturbed zone 82 of the reservoir 12. Thereafter, the probe 3 is displaced into the bore 70 and to the end of the bore 70 until reaching contact with the reservoir 12, whereupon pressure measurement of a water phase inside a hydrocarbon reservoir 12 can be executed.

The displacement head 60 has accordingly the function of an enclosure for the probe 3 and the drilling mechanism 50. The displacement head 60 is rigidly arranged comprising a material allowing it to be forced into the reservoir 12. For example, the displacement head 60 comprises a metallic material, such as stainless steel, aluminium, etc. The displacement head 60 is tapered arranged, such as wedge shape, in order to facilitate it to be forced into the reservoir 12.

In fig. 1c a probe 3 of the probe arrangement 1 in fig. 4a according to an embodiment of the invention is disclosed. The probe 3 comprises a further sealing member 72 comprising a casing that extends over the at least one opening 10 at the body 5 of the probe 3. The casing comprises for example mainly a glass material that is adapted to be broken when the probe 3 is brought into contact with the reservoir 12. The further sealing member 72 is configured to protect the at least one opening 10 from exposure to surface active components at a concentration equal to or higher than 0.1 millimole.

In the disclosed embodiment, the further sealing member 72 is arranged to form a spacing between the body 5 of the probe 3, and the spacing is filled with flowable suspension 74 with hydrophilic properties. Preferably, the flowable suspension 74 mainly comprises a granular combination of kaolinite and water. The flowable suspension 74 facilitates establishing contact between the at least one opening 10 of the probe 3 and the reservoir 12 for the purpose of the pressure measurements.

According to an embodiment of the invention, fig. 6 will now be discussed in further details. Fig. 6 discloses the probe arrangement 1 in fig. 4a where the probe 3 has been displaced from the first position to the second position.

As seen in fig. 6, the probe 3 has been displaced from the first position inside the bore hole to the second position inside the reservoir 12. In particular, it is seen that the probe 3 has been displaced to a second position where the probe 3 or the at least one opening 10 of the probe 3 is located inside the reservoir 12 separated from the contaminated zone 80 and the disturbed zone 82.

Thereby, the probe arrangement 1 enables accurate pressure measurement of a water phase in-

side a reservoir 12.

It should be noted that the above-mentioned embodiments illustrate rather than limit the invention, and that those skilled in the art will be able to design many alternative embodiments without departing from the scope of the appended claims. In the claims, any reference signs placed between  
5 parentheses shall not be construed as limiting the claim. Use of the verb "comprise" and its conjugations does not exclude the presence of elements or steps other than those stated in a claim. The article "a" or "an" preceding an element does not exclude the presence of a plurality of such elements. The mere fact that certain measures are recited in mutually different dependent claims does not indicate that a combination of these measures cannot be used to advantage.

## C l a i m s

1. A probe arrangement (1) for pressure measurement of a water phase inside a hydrocarbon reservoir (12), the probe arrangement (1) comprises a probe (3) comprising a body (5) with a pressure measuring chamber (7) and at least one opening (10) to the pressure measuring chamber (7) for introduction of water from the water phase to the pressure measuring chamber (7), wherein at least a portion of a surface of the body (5) at said at least one opening (10) is arranged with a hydrophilic characteristic,  
c h a r a c t e r i s e d i n t h a t  
the probe arrangement (1) comprises a displacement mechanism (46) adapted to displace the probe (3) from a first position, where said at least one opening (10) of the probe (3) is located outside the reservoir (12), to a second position, where said at least one opening (10) of the probe (3) is located at a position inside the reservoir (12) in which surface active components have a concentration less than 0.1 millimole.
2. The probe arrangement (1) according to claim 1, wherein, in the second position, said at least one opening (10) of the probe (3) is located at a position inside the reservoir (12) in which a change from an initial water saturation in the reservoir (12) is less than 1%.
3. The probe arrangement (1) according to any of claim 1-2, wherein, in the second position, said at least one opening (10) of the probe (3) is located at least 10 cm into the reservoir (12), preferably at least 50 cm into the reservoir (12).
4. The probe arrangement (1) according to any of claim 1-3, wherein the probe arrangement (1) comprises a tapered displacement head (60) comprising an inner room (62) adapted to enclosing the probe (3), a first passage (64) to the inner room (62) and a second passage (66) out of the inner room (62) into the reservoir (12) and a sealing member (68) for sealing an opening of said second passage (66), wherein the displacement head (60) is adapted to be forced into the reservoir (12) and thereby forming an opening in the reservoir (12).
5. The probe arrangement (1) according to any of claim 1-4, wherein the probe arrangement (1) comprises a drilling mechanism (50) for forming a further opening in the reservoir (12).
6. The probe arrangement (1) according to 5, wherein the drilling mechanism (50) comprises means for introducing a fluid into the opening and removing the fluid together with residual material from the opening, which fluid is insoluble or essentially insoluble in water.
7. The probe arrangement (1) according to any of claim 4-6, wherein said inner room of the displacement head is adapted to enclosing a drilling head of the drilling mechanism (50).



8. The probe arrangement (1) according to any of claim 1-7, wherein the probe (3) comprises a further sealing member (72) configured to cover said at least one opening (10) from exposure to surface active components at a concentration equal to or higher than 0.1 millimole.
- 5 9. The probe arrangement (1) according to any of claim 1-8, wherein the further sealing member (72) comprises a casing extending over said at least one opening (10) and mainly comprising a glass material.
- 10 10. The probe arrangement (1) according to any of claim 1-9, wherein the probe (3) comprises a spacing between the further sealing member (72) and the surface of the body (5) of the probe (3), and wherein the probe (3) comprises a flowable suspension (74) with hydrophilic properties arranged in said spacing.
11. The probe arrangement (1) according to claim 10, wherein the flowable suspension (74) mainly comprises a granular combination of kaolinite and water.
- 15 12. A method for pressure measurement of a water phase inside a hydrocarbon reservoir (12) by means of a probe arrangement (1) according to any of claim 1-11, wherein the method comprises the step of:
- forming an opening into the reservoir (12) by forcing the tapered displacement head (60) into the reservoir (12),
  - removing or penetrating the sealing member (68), and
  - 20 - introducing the probe (3) into the reservoir (12).
13. The method according to claim 12, wherein the method comprises:
- forming a further opening into the reservoir (12) by means of the drilling mechanism (50), and
  - 25 - introducing the probe (3) into the further opening and into the reservoir (12).

1(6)

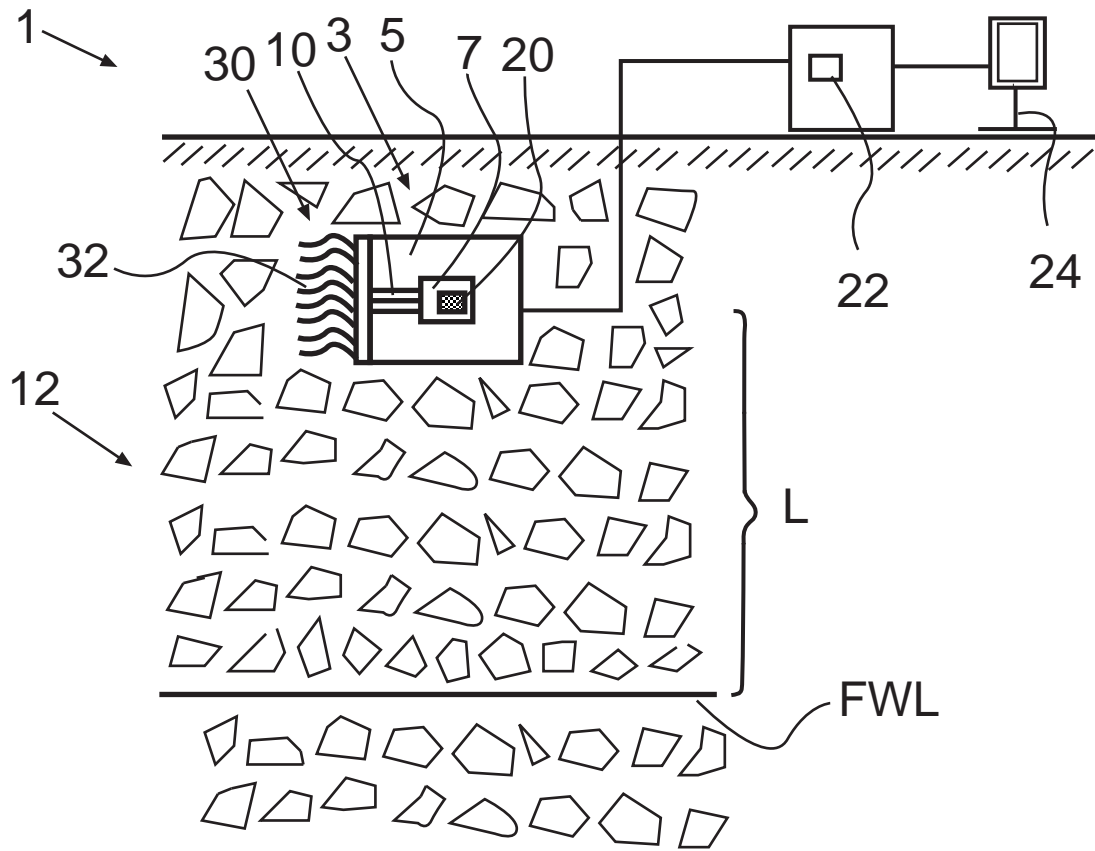


Fig. 1a

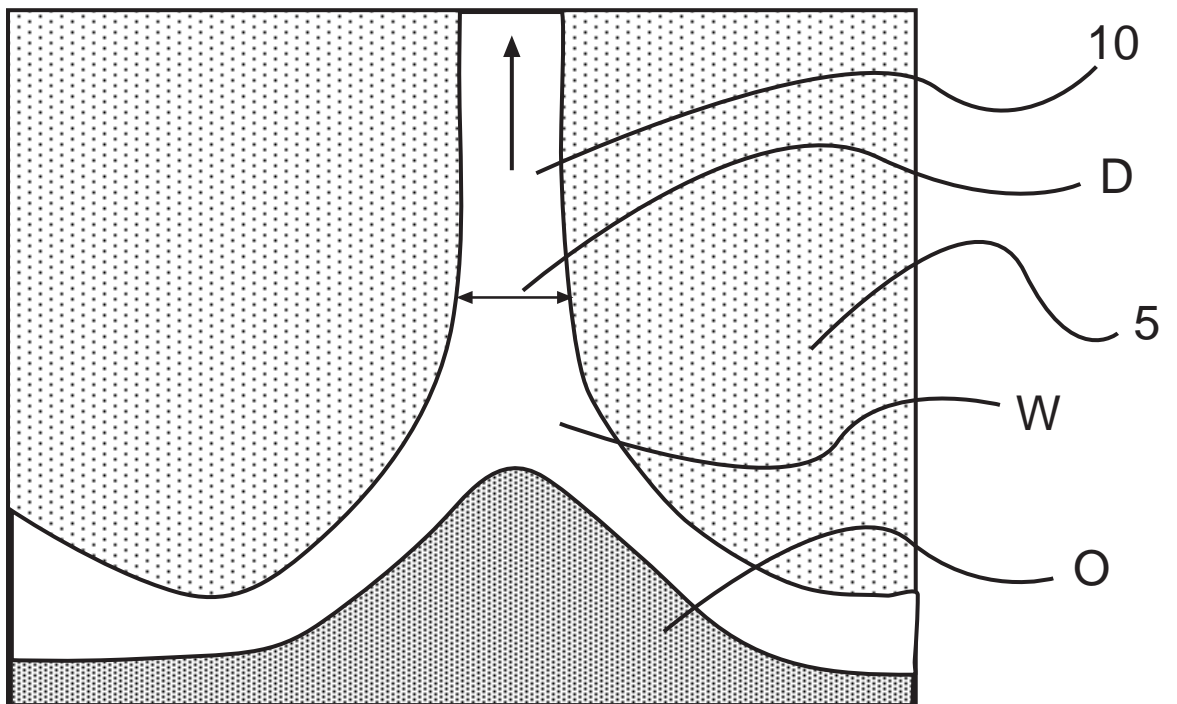


Fig. 1b

2(6)

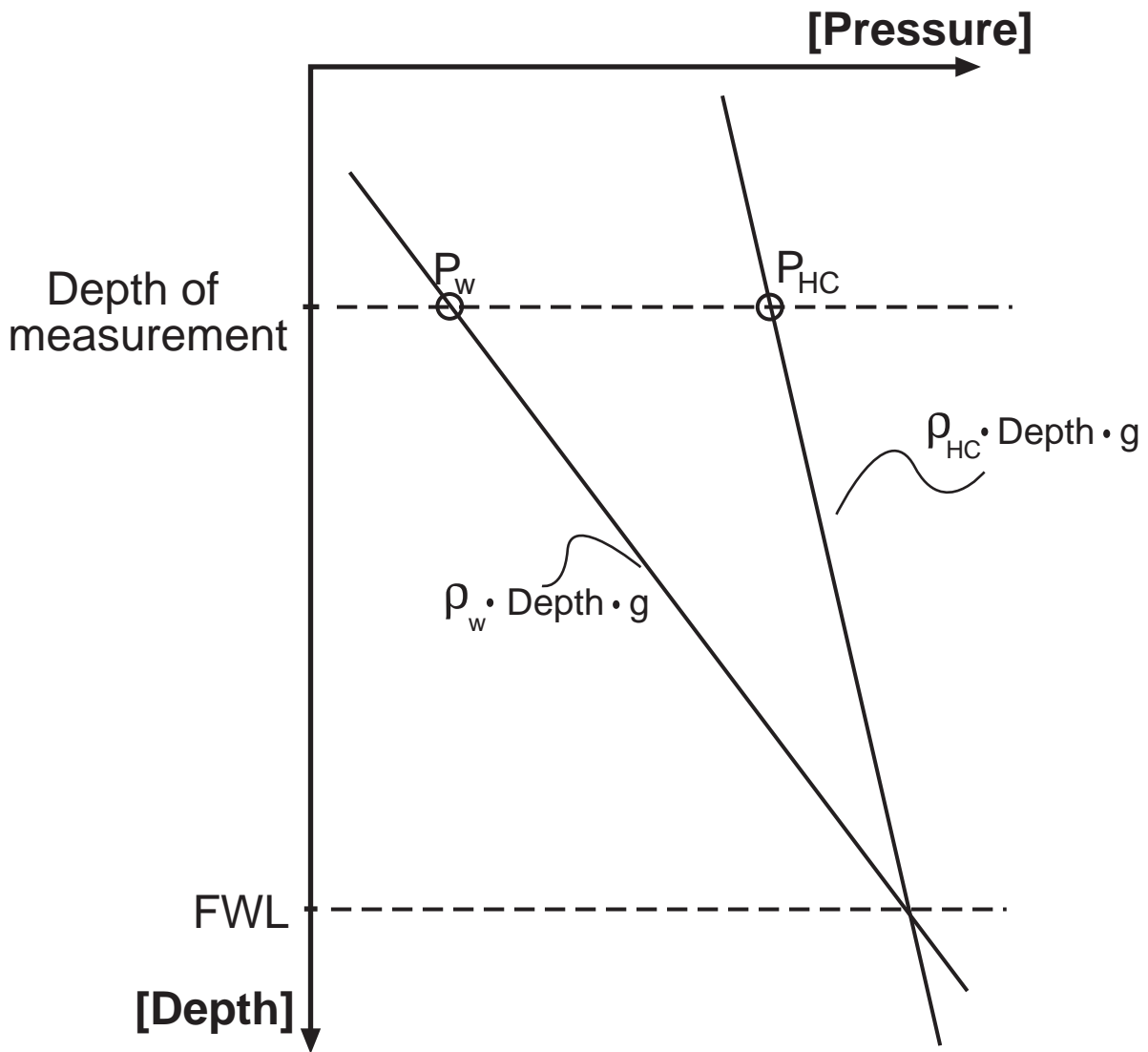


Fig. 2

3(6)

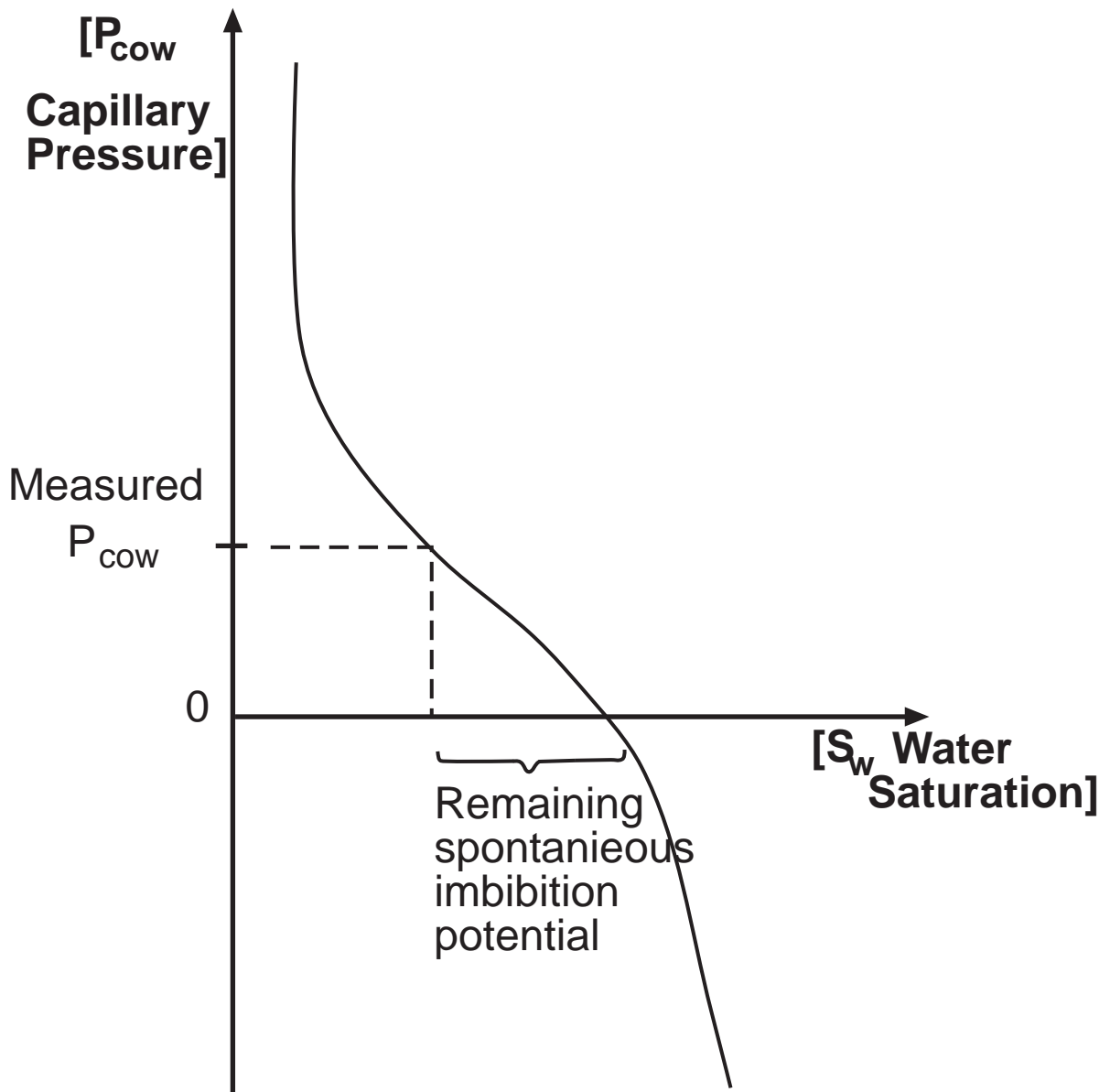


Fig. 3

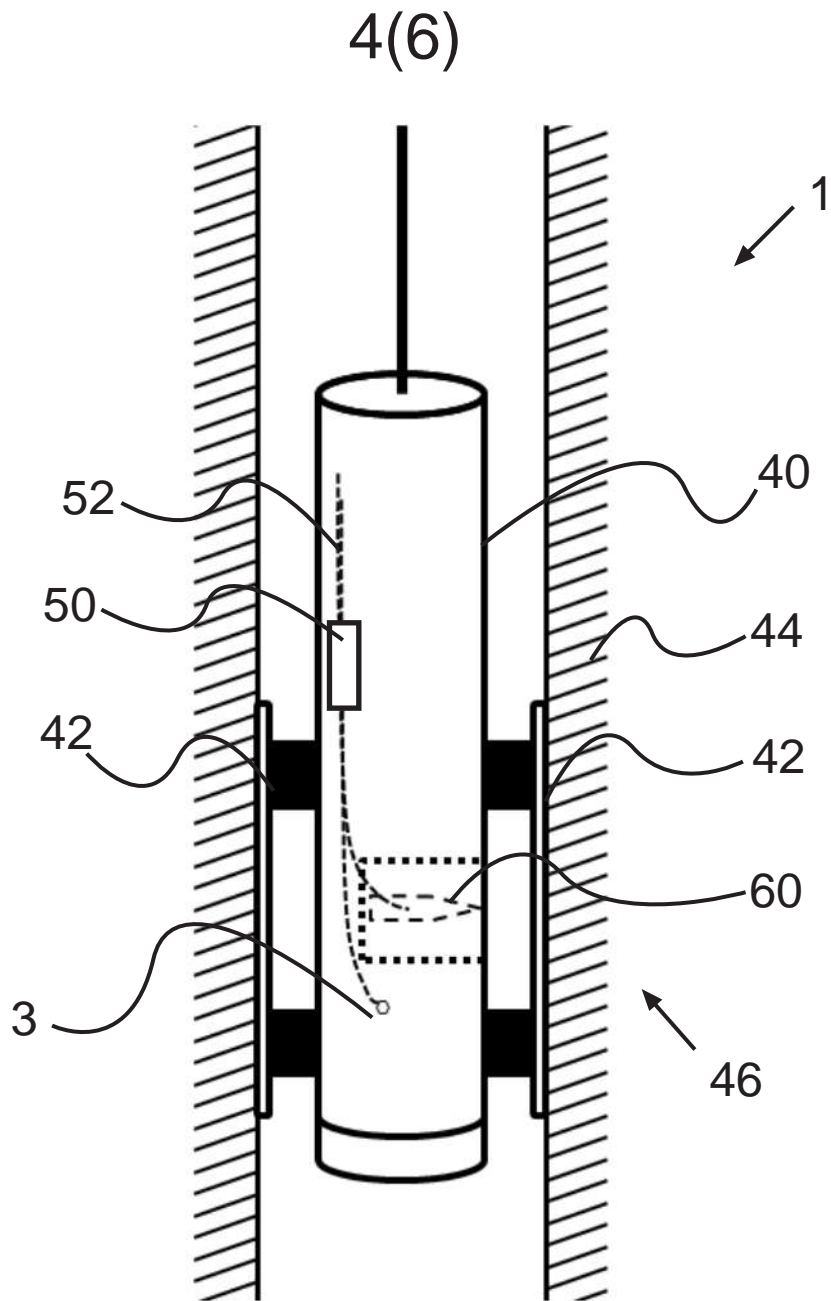


Fig. 4a

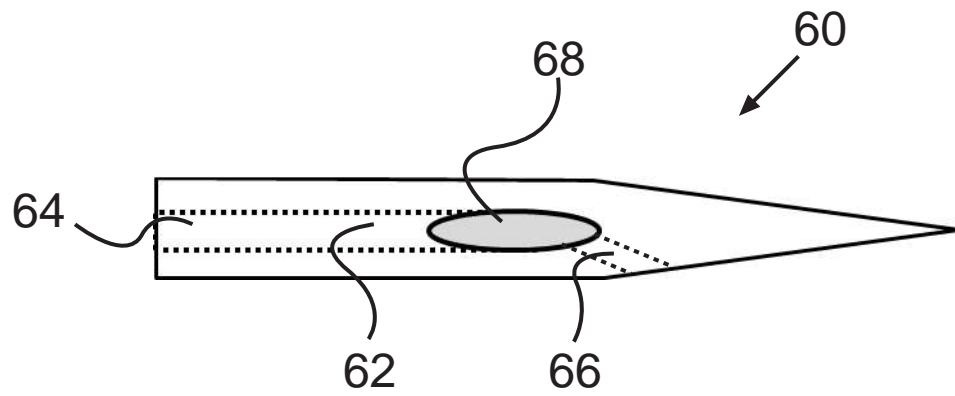


Fig. 4b

5(6)

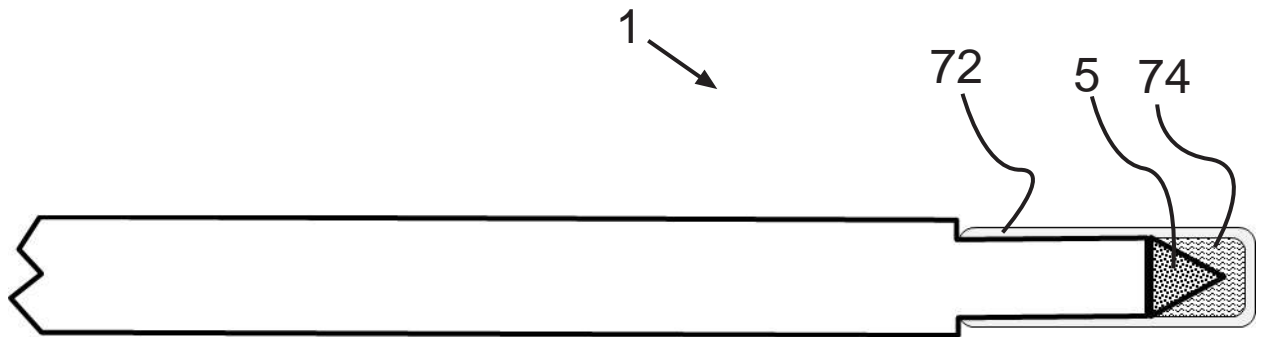


Fig. 4c

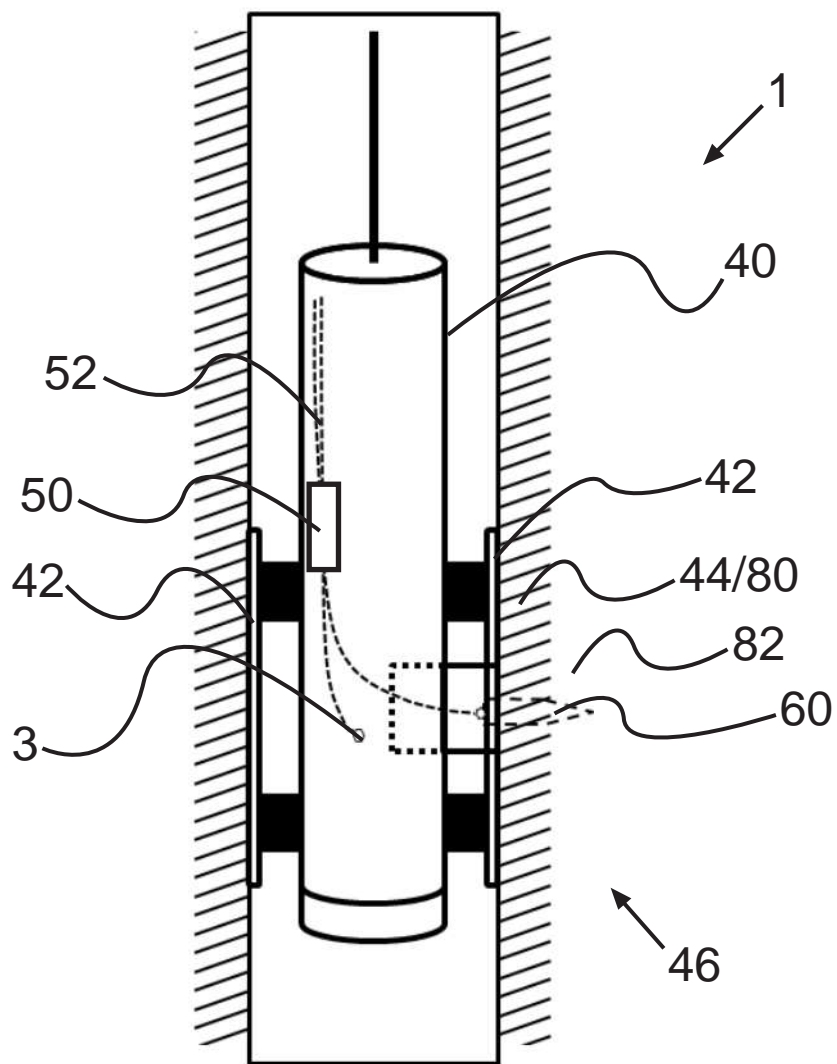


Fig. 5

6(6)

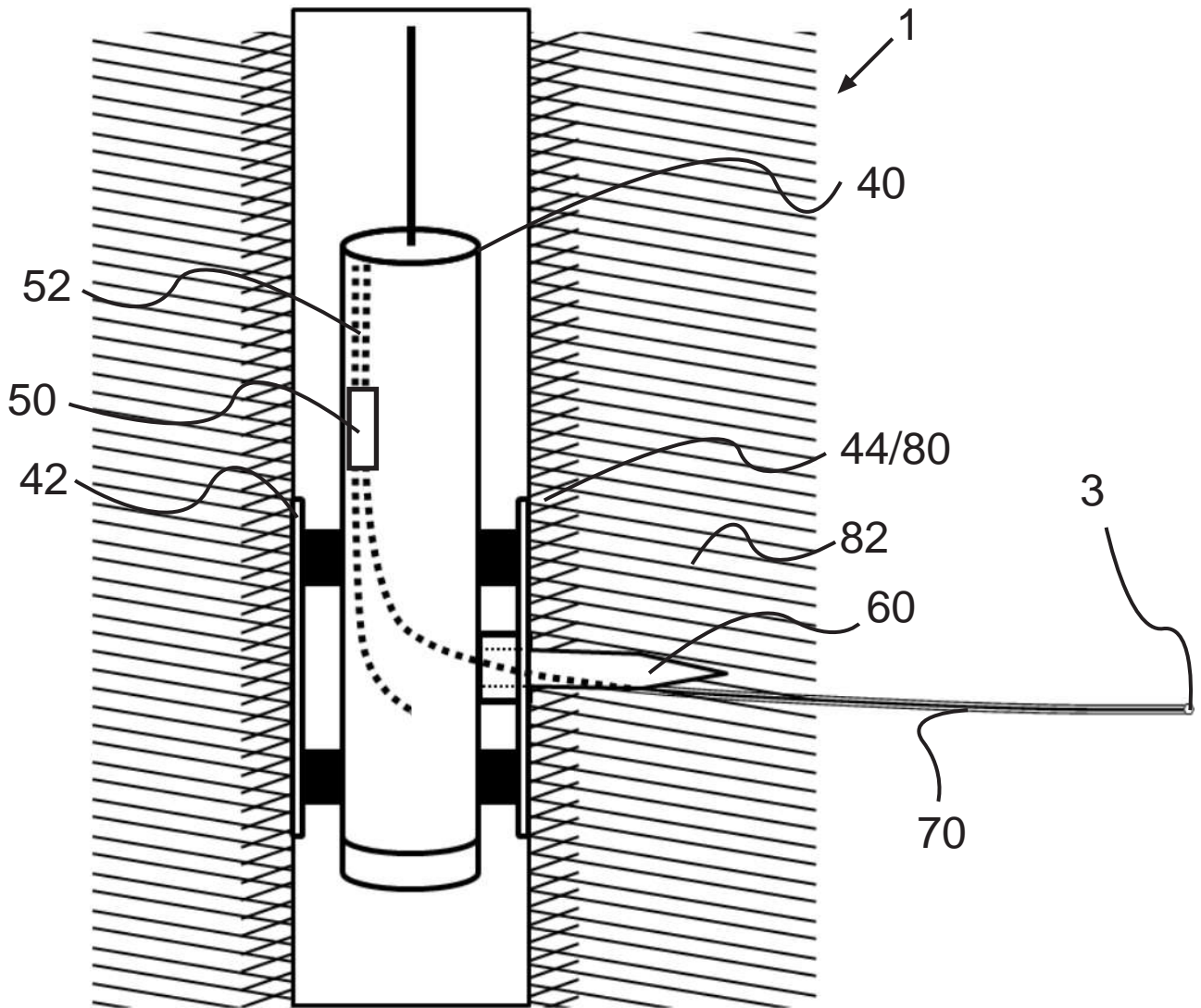


Fig. 6